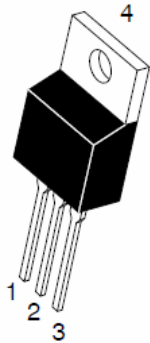
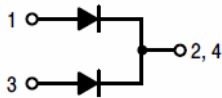


7 UHQFK 026 %DUULHU 6FKRWWN\ 5H

TO-220AB
TSR30L200CT



ITO-220AB
TSR30L200CTF



Features

- ‡ \$GYDQWUHQFK WHFKQRORJ\
- ‡ /RZRZUZYRQWDJH GURS
- ‡ /RZRZUZYRQVHV
- ‡ +LJKILFLHQF\ RSHUDWLRO
- ‡ /HDGH)HLQLVK &R#6OLDQW

Applications

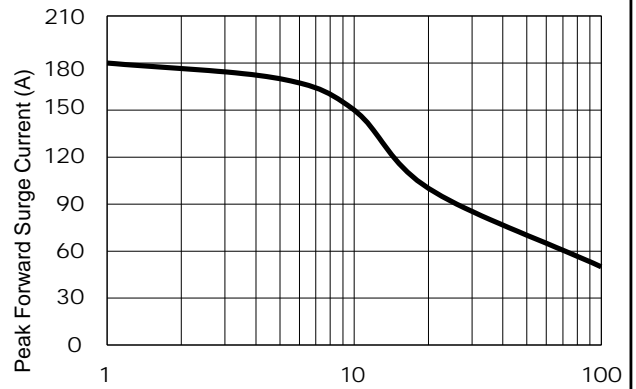
- ‡ '&' &RQYHUWHUV
- ‡ \$&'&GDSWRUV
- ‡ 6ZLWFKRZHXSSOLHV
- ‡)UHHZKH'HLRQJ

Maximum ratings and electrical characteristics (T_J = 25°C unless otherwise noted)

| 3DUDPHWHU | | 6\PERO | /LPLW | 8QLW | |
|----------------------------------|--|------------------|-------|-------|-------|
| 0D[LPXPHSHVSHUNYHYURQHW DJH | | 9550 | | 9 | |
| 0D[LPXPHYUDRJRZDUG UFXEWHIHWG | | GHYLFH ,) \$9 | | \$ | |
| SHGLRGH | | | | | |
| 3HDN IRVZDUEBUUHQW VLKDOHQH ZDYH | | ,)60 | | \$ | |
| VXSHULPSRVHGRFSCGLRVGHG | | | | | |
| 2SHUDMXQFDVLRQWRUDJH WHPSHUDW | | XUH 060JH | WR | | |
| 7\SLFVQCHUPDO USHVULVQHDQFH | | 72 \$% | | f & : | |
| | | ,72 \$% | 5\$-& | f & : | |
| | | | 7<3 | 0\$; | |
| ,QVWDQWDQHRRQWRUJZDUG | | 9) | | 9 | |
| SHGLRGH | | | ,) \$ | | 7- f& |
| | | | ,) \$ | | |
| | | | ,) \$ | | |
| ,QVWDQWDQHRXUUSHQWRUWH | | | | | |
| UDWHYHUVH | | | | | |
| 1RWHV | | | | | |
| 3XOVH WHVVSXOVH ZLGWK GXW\F\FOH | | | | | |
| 3XOVH WHVW 3XOPVH ZLGWK 0 | | | | | |

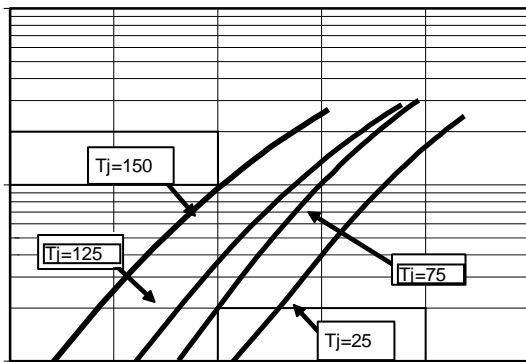
RATINGS AND CHARACTERISTICS CURVES (TA = 25 °C unless otherwise noted)

If, Average Forward Current (A)



Tc, Case Temp (°C)

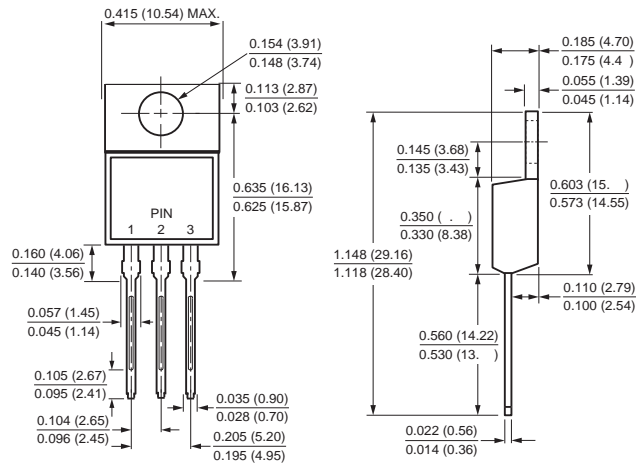
Figure 1: Current Derating, Case



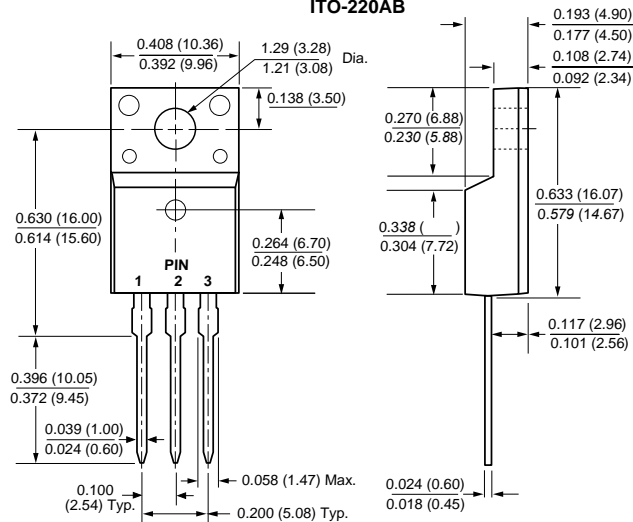
PACKAGE OUTLINE DIMENSIONS

Note:unit In(mm)

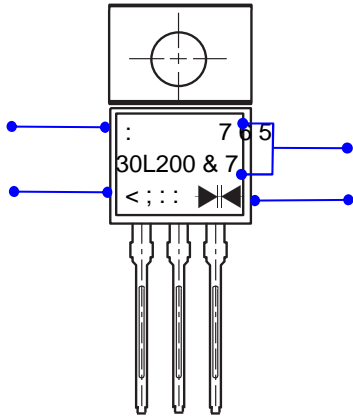
TO-220AB



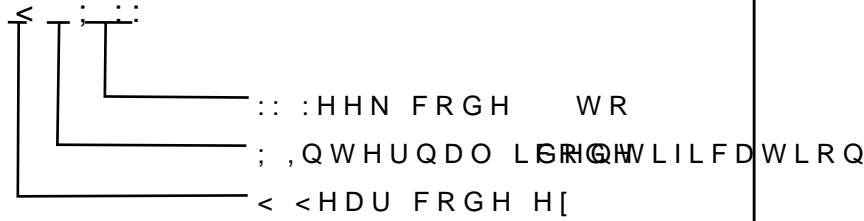
ITO-220AB



Marking Information

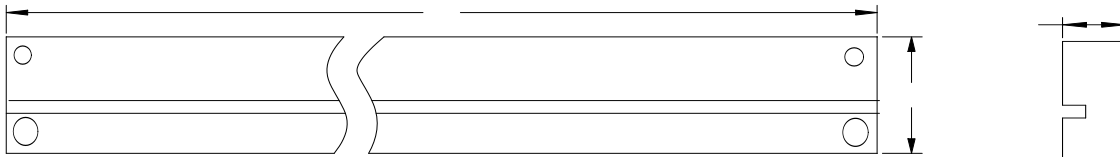


3 URGXFW 7630L200V or TSR30L200CTF
3' & LQIRUPDWLRQ



Packaging Information

7XEH 'LPHQVLRQV



, QVLGH %R[

2XWVLGH %R[

Packaging Information

| 12 | 81, | 7XEH 'LPHQVLRQV | | | , QVLGH %R[| | | 2XWVLGH %R[| | |
|------|-----|-----------------|---|---|-----------------------------|---|---|------------------|---|---|
| 6L]H | PP | \$ | % | & | / | : | + | / | : | + |
| 47< | 3&6 | 3&6 7XEH | | | 6PDO SHFWDJH3&6 WXEORWDO | | | 3&6 FDUERGLWRWDO | | |
| 1RWH | | 7ROHUDQFHPP"PP | | | PP"PP | | | PP"PP | | |