

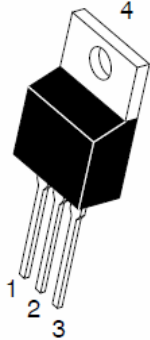
TSR40L45CT

TSR40L45CTF

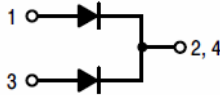
23-NOV-2017

7UHQFK 026 %DUULHU 6FKRWWN\ 5H

TO-220AB
TSR40L CT



ITO-220AB
TSR40L CTF



Features

- ‡ \$GYDQWUHQFK WHFKQRORJ\
- ‡ /RZRZDURGDWDJH GURS
- ‡ /RZRZDURVHV
- ‡ +LJKILFLHQF\ RSHUDWLRO
- ‡ /HDGH)HLQLVK &R#6OLDQW

Applications

- ‡ '&' & RQYHUWHUV
- ‡ \$&' & \$GDSWRUV
- ‡ 6ZLWFKRZDUXSSOLHV
- ‡)UHHZKH'HLRQJ

Maximum ratings and electrical characteristics (T_J = 25°C unless otherwise noted)

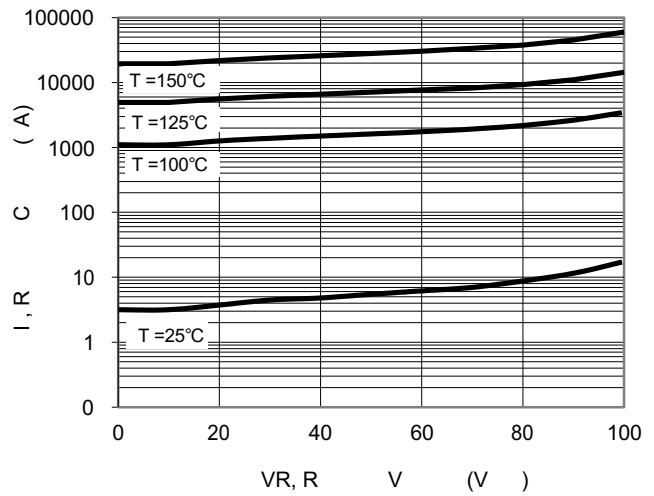
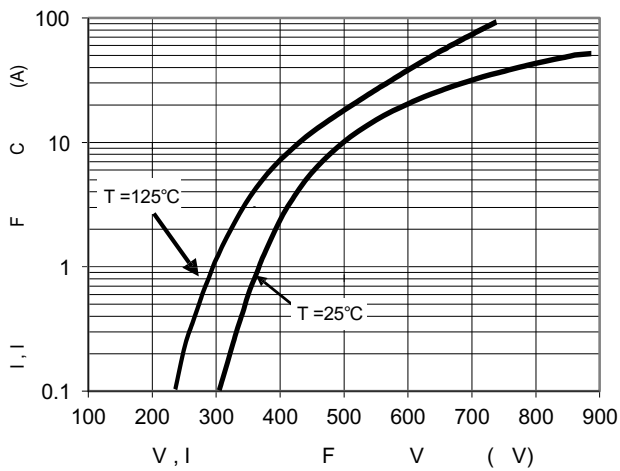
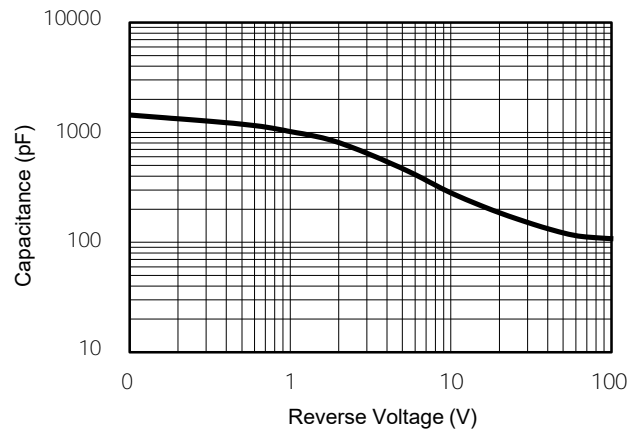
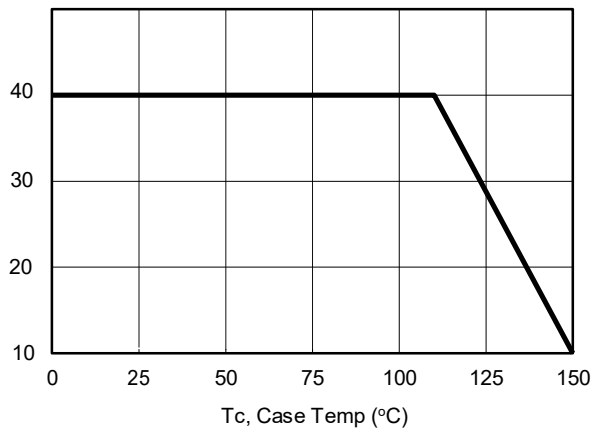
3DUDPHWHU		6\PERO	/LPLW	8QLW
0D[LXPXPHSHVSHUNYHYURQHW DJH		9550		9
0D[LXPYPYHURDJH ZDUG UFKUWHIHWG	GHYLFH SHGLRGH	,) \$9		\$
3HDN IRVZDURBUHQW VLQDQH ZDYH VXSHULPSRVHGRSGLRCHG		,)60		\$
2SHUDMXQDQGRQWRUDJH WHPSHUDW	XUHURDJH	WR		f&
7\SLVNDKUPDO USHVULVQHDQFH	72 \$% ,72 \$%	5\$-&		f& : f& :
,QVWDQWDQHRRQWRUDJH ZDUG SHGLRGH	,) \$	7- f&	7<3	0\$;
	,) \$	7- f&		
	,) \$	7- f&		
	,) \$	7- f&		
,QVWDQWDQHRXU SHGLRCHG UDWHYHYURQHW DJH	7- f&	,5		X\$
	7- f&			P\$

1RWHV

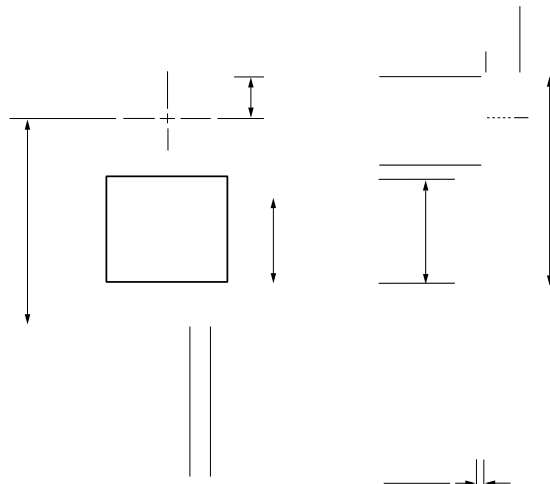
3XOVH WHVVSXOVH ZLGWK GXW\F\FOH

3XOVH WHVW 3XOPH ZLGWK 0

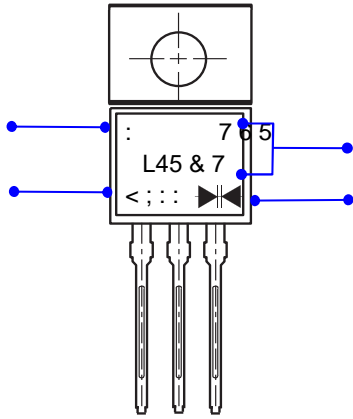
RATINGS AND CHARACTERISTICS CURVES (TA = 25 °C unless otherwise noted)



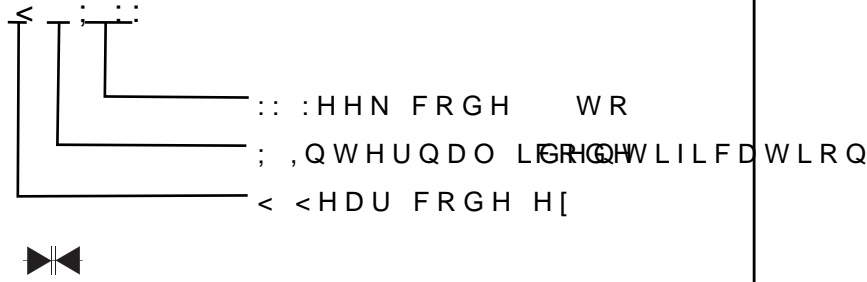
BACKGROUNDOUTLINE DIMENSIONS 8018888



Marking Information

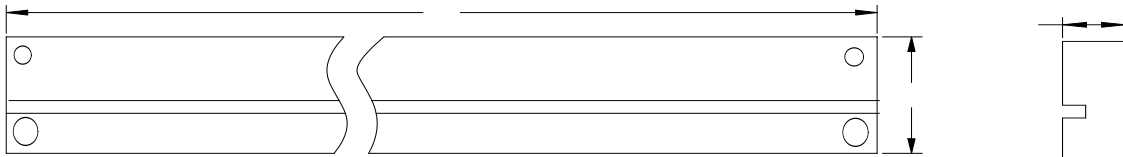


3 URGXFW 765 L45CT or TSR40L45CTF
3' & LQIRUPDWLRQ



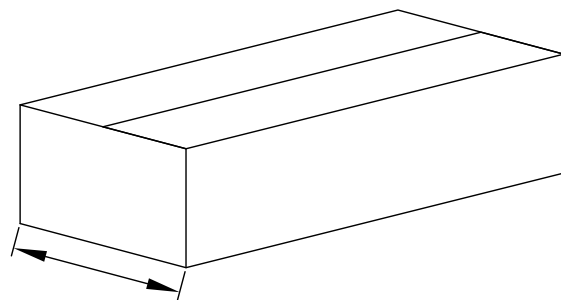
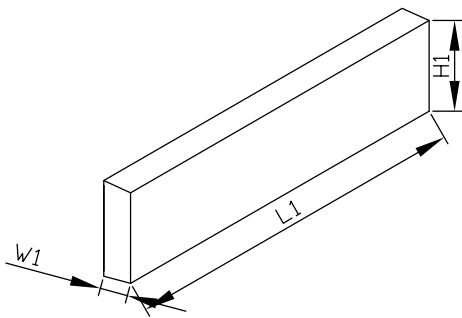
Packaging Information

7XEH 'LPHQVLRQV



,QVLGH %R[

2XWVLGH %R[



Packaging Information

12	81,	7XEH 'LPHQVLRQV			,QVLGH %R[2XWVLGH %R[
6L]H	PP	\$	%	&	/	:	+	/	:	+
47<	3&6	3&6 7XEH			6PDO SHVWDJH3&6 WXEORWDO			3&6 FDUERGLWRWDO		
1RWH	7ROHUDQFH PP" PP			PP" PP			PP" PP			