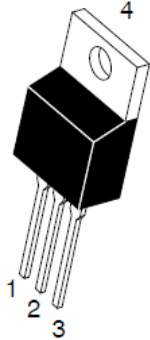
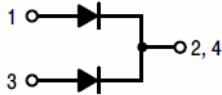
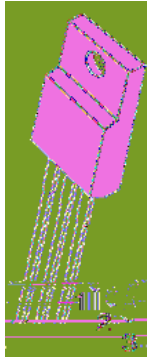


7 UHQFK 026 %DUULHULB BKRWVN\ 5H

TO-220AB  
TSR20S100CT



ITO-220AB  
TSR20S100CTF



Features

- ‡ \$GYDQWUHQFK WHFKQRORJ\
- ‡ /RZRUZDYGWDJH GURS
- ‡ /RZRZURVVHV
- ‡ +LJKILFLHQF\ RSHUDWLRO
- ‡ /HDGH)HLQLVK &R#6OLDQW

Applications

- ‡ '&' & RQYHUWHUV
- ‡ \$&'&GDSWRUV
- ‡ 6ZLWFKRZHXSSOLHV
- ‡ )UHHZKH'HLRQJ

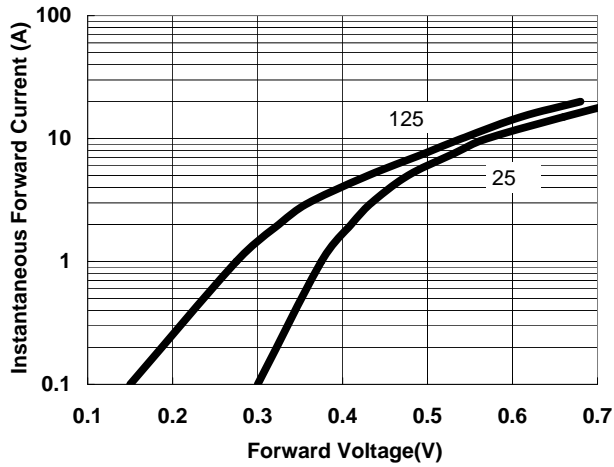
Maximum ratings and electrical characteristics (T<sub>J</sub> = 25°C unless otherwise noted)

3DUDPHWHU		6\PERO	/LPLW	8QLW	
0D[LPXPHSHVSHUNYHYURQHW DJH		9550		9	
0D[LPXPHUDRUMZDUG UFXEWHIHWG		GHYLFH SHGLRGH	,) \$9	\$	
3HDN IRVZDUEBUUHQW VLKDOHQH ZDYH					
VXSHULPSRVHGRFSGUJRWGHG		,)60	fA	\$	
2SHUDMXQDQGRQWRUDJH WHPSHUDW					
7\SLFVCHUPDO USHVULVQHDQFH		72 \$%	5\$-&	f& :	
		,72 \$%		f& :	
,QVWDQWDQHRROWRUJZDUG SHGLRGH		9)	7<3	0\$;	
			,) \$	7- f&	9
			,) \$		
			,) \$		
,QVWDQWDQHRXUUSHOMRQWH		7- f&	,5		
UDWHYHYURQHW DJH					
1RWHV					
3XOVH WHVVSXOVH ZLGWK GXW\F\FOH					
3XOVH WHVW 3XOPWH ZLGWK 0					

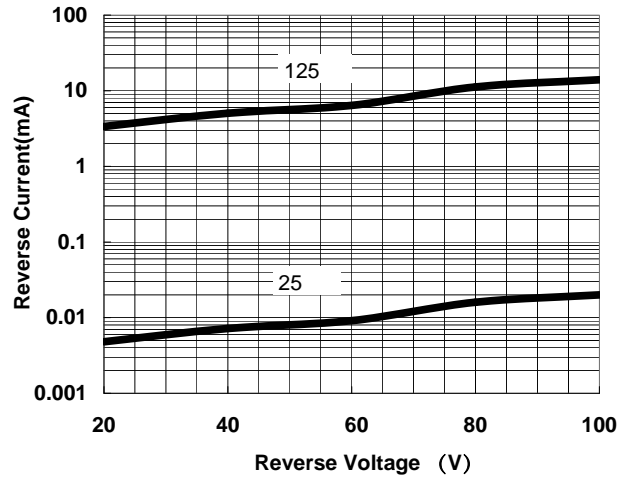
RATINGS AND CHARACTERISTICS CURVES

7\$

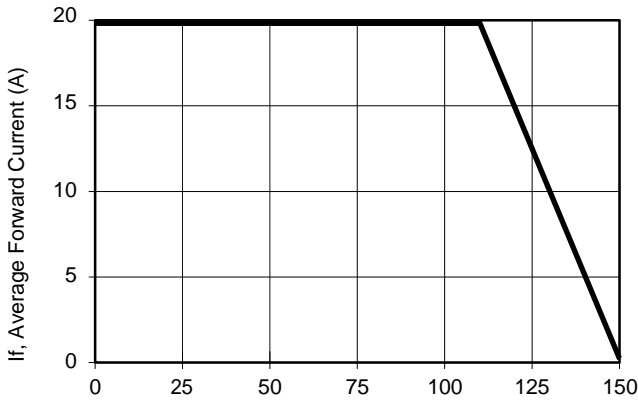
f & XQOHVQRWKBUZLVH



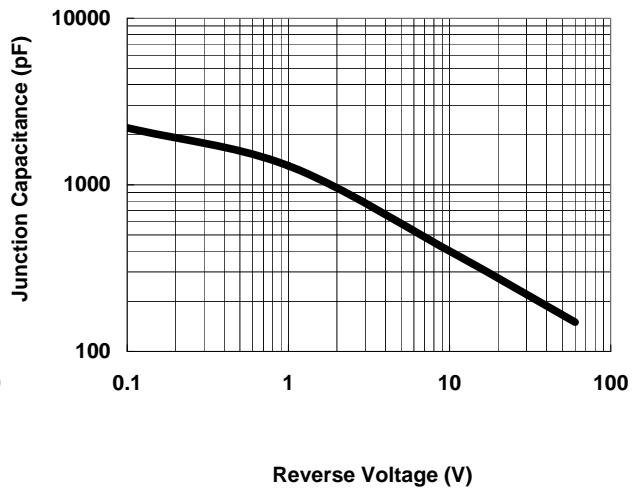
Forward Current Derating Curve



Typical Junction Capacitance Per Diode

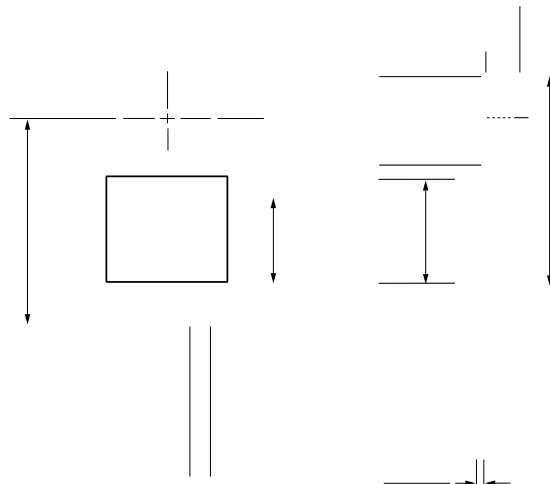


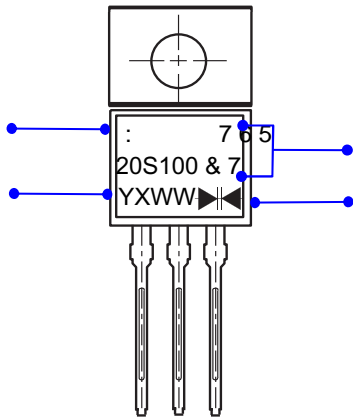
Current Derating, Case



Reverse Voltage (V)

PACKAGE OUTLINE DIMENSIONS

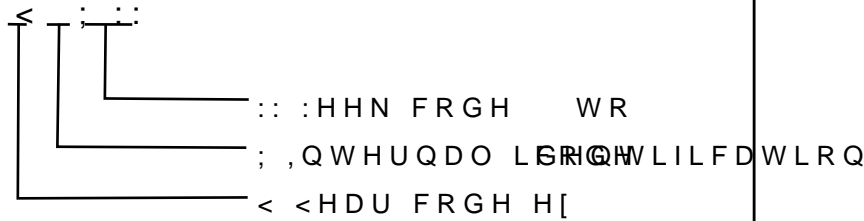




W : Company's trademark

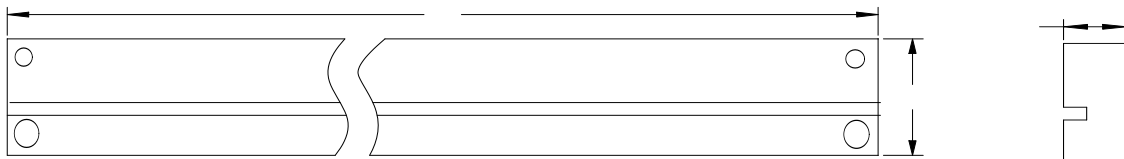
3 U R G X F W T B R 2 0 S 1 0 0 C T or TSR20S100CTF

3 ' & L Q I R U P D W L R Q



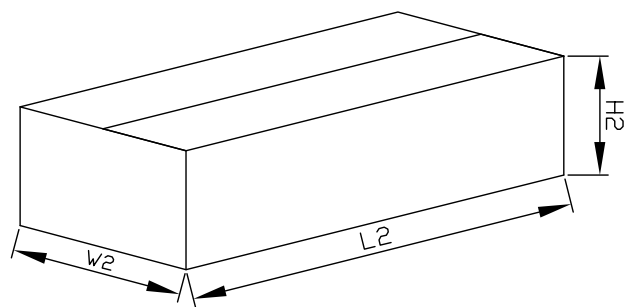
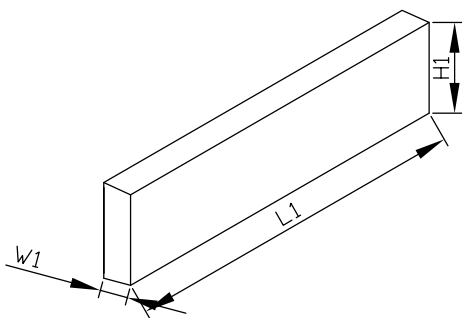
Double wafer

7 X E H ' L P H Q V L R Q V



, Q V L G H % R [

2 X W V L G H % R [



1 2	8 1 ,	7 X E H ' L P H Q V L R			, Q V L G H [			2 X W V L G H % R		
6 ↓ H	PP	\$	%	&	/	:	+	/	:	+
		5	7	33	570	46	150	59	26	18
4 7 <	3 & 6	3 & 6 7 X E H			6 P D O S H V W D J H 3 & 6 2 W X E R W R W D O			3 & 6 F D U E R G L W R W D O		
1 R W H		7 R O H U D Q F P P " P P			P P " P P			P P " P P		