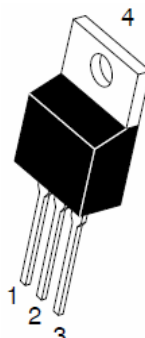



7 UHQFK 026 %DUULHU 6FKRWWN\ 5H

TO-220AB
TSR10S150 & 7S



1 2 3 4

ITO-220AB
TSR10S150 & 7)-S



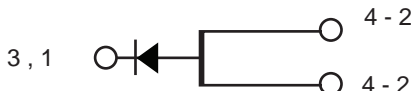
2 3 4

Features

- ‡ \$GYDQWUHQFK WHFKQRORJ\
- ‡ /RZRZURGRWDJH GURS
- ‡ /RZRZURVVHV
- ‡ +LJKILFLHQF\ RSHUDWLRO
- ‡ /HDGH)HLQLVK &RPSOLDQW

Applications

- ‡ '&' &RQYHUWHUV
- ‡ \$\$ '&\$GDSWRUV
- ‡ 6ZLWFKRZHXSSOLHV
- ‡)UHHZKH)HLGRQJ

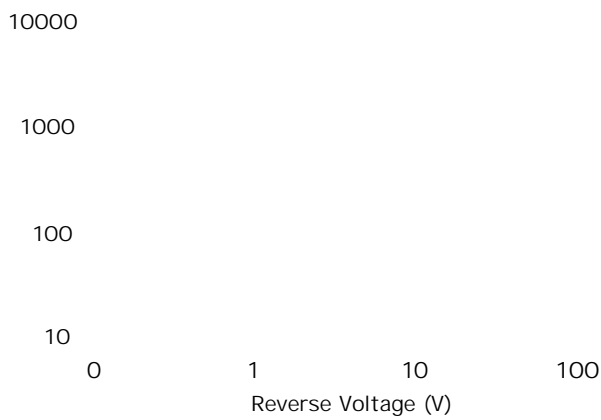
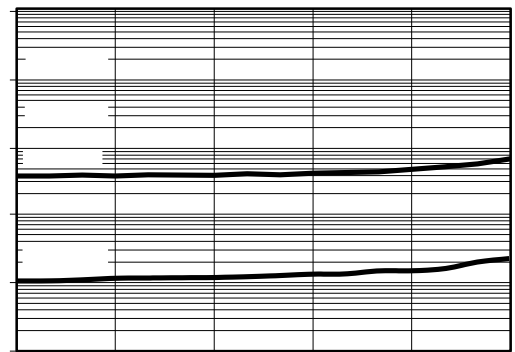
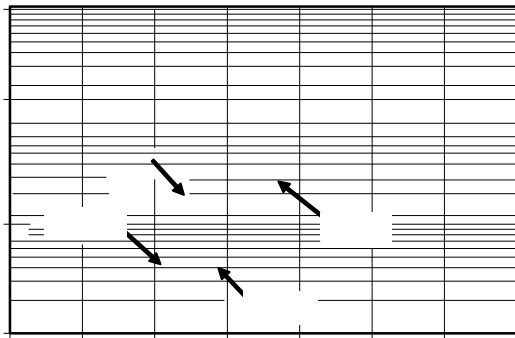
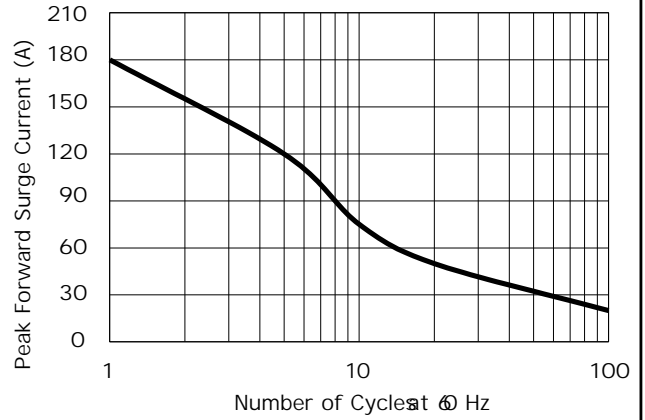
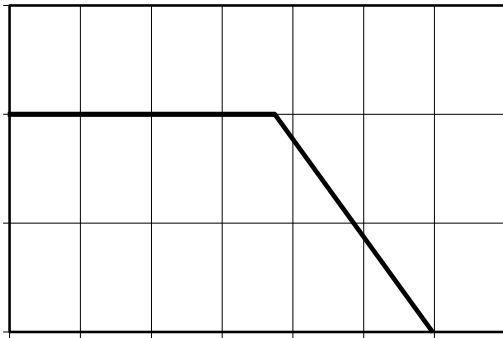


Maximum ratings and electrical characteristics (T_J = 25°C unless otherwise noted)

3DUDPHWHU	6\PERO	/LPLW	8QLW
0D[LPXPHSHVSHUNYHYURQHW DJH	9550		9
0D[LPXPHYUDRURZDUG UFKWHLQWGHYLFH) \$9			\$
3HDN IRVZDUEBUHQW VLQDQH ZDYH VXSHULPSRVHGRSCGDRVGHG	,)60		\$
2SHUDMXQDQLRQWRUDJH WHPSHUDW	XUH 0DQJH	WR	f&
7\SLFVQKUPDO USHVULVQHDQFH	72 \$%	5\$-&	f& :
	,72 \$%		f& :
,QVWDQWDQHRXUWRURZDUG SHGLRGH	9)	7<3	0\$;
			9
,QVWDQWDQHRXUWHGWRURZDUG UDWHYHYURQHW DJH	,5		X\$
			P\$

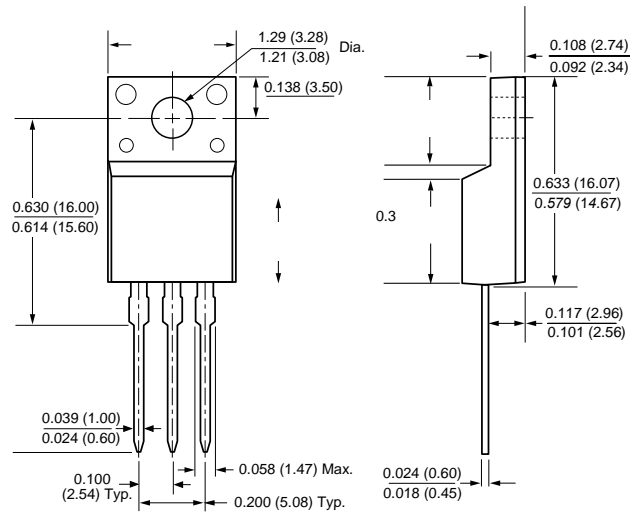
1RWHV
3XOVH WHVVSXOVH ZLGWK GXW\F\FOH
3XOVH WHVW 3XOPVH ZLGWK 0

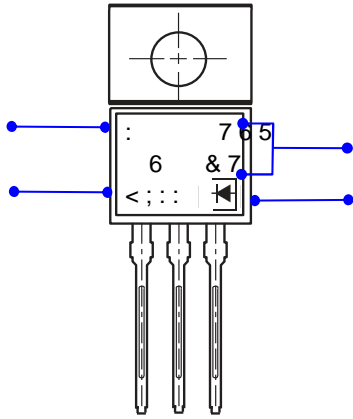
RATINGS AND CHARACTERISTICS CURVES



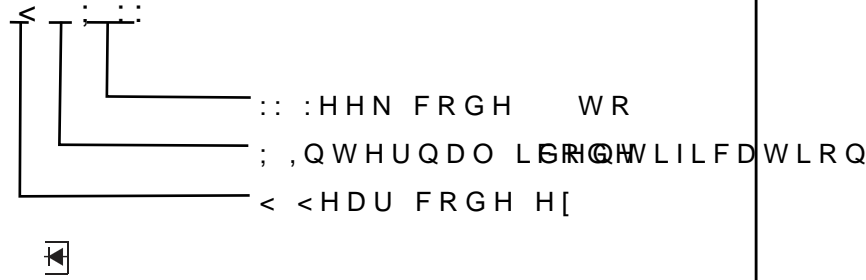
d Ç %] o : μ v š] } v %] š v

PACKAGE OUTLINE DIMENSIONS

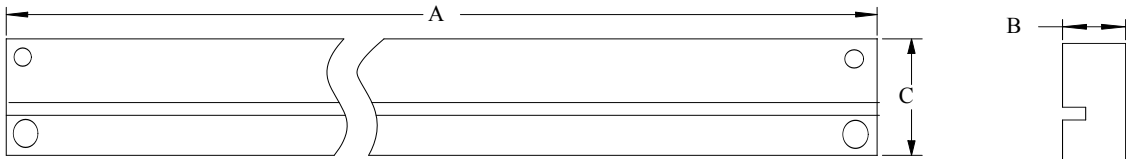




3URGXFW 765GH60 &7 RU 765 &7)
3' & LQIRUPDWLRQ

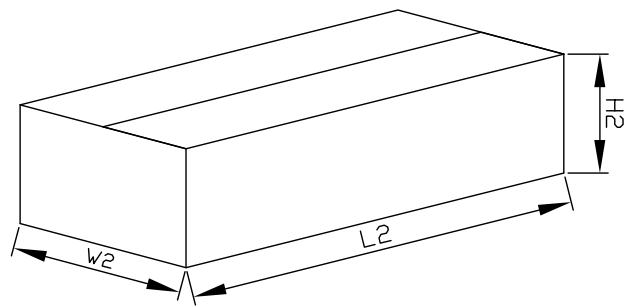
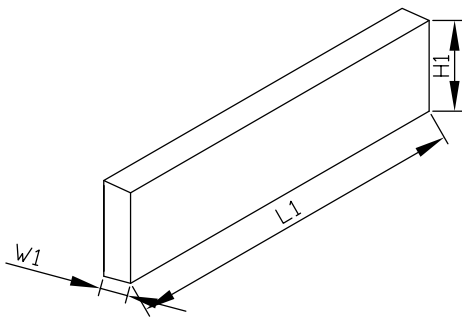


7XEH 'LPHQVLRQV



,QVLGH %R[

2XWVLGH %R[



3DFNDJLQJ ,QIRUPDWLRQ

12	81,	7XEH 'LPHQVLRQ			,QVLGH %R[2XWVLGH %R[
6L]H	PP	\$	%	&	/	:	+	/	:	+
47<	3&6	3&6 7XEH			6PDO SHFWDJH3&6 WXEWRWDO			3&6 FDUERGLWRWDO		
1RWH		7ROHUDQFH PP" PP			PP" PP			PP" PP		