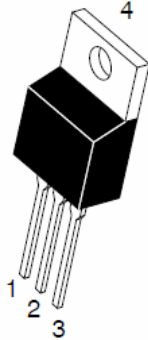


# TSR40A 00CT

# TSR40A10 CTF

7 UHQFK 026 %DUULHULB BKRWVN\ 5H

TO-220AB  
TSR40A100CT



ITO-220AB  
TSR40A100CTF

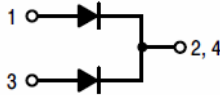


Features

- ‡ \$GYDQWUHQFK WHFKQRORJ\
- ‡ /RZRZURGRWDJH GURS
- ‡ /RZRZURGRVHV
- ‡ +LJHILFLHQF\ RSHUDWLRO
- ‡ /HDGHJLQLVK &RPSOLDQW

Applications

- ‡ '&' &RQYHUWHUV
- ‡ \$\$' &\$GDSWRUV
- ‡ 6ZLWFKRZHXSSOLHV
- ‡ )UHHZKHHLRGRJ



Maximum ratings and electrical characteristics (T<sub>J</sub> = 25°C unless otherwise noted)

3DUDPHWHU		6\PERO	/LPLW	8QLW
0D[LXPXPHSHVSHUNYHYURQHW DJH		9550		9
0D[LXPYHURDJHZDUG UFXEWHIHWG	GHYLFH SHGLRGH	,) \$9		\$
3HDN IRVZDUEBUHQW VLQDOHQH ZDYH VXSHULPSRVHGRFSGUDRCHG		,)60		\$
2SHUDMXQDQGRQWRUDJH WHPSHUDW	XOH 06DJH	WR		f&
7\SLFNDKCHUPDO USHVULVQHDQFH	72 \$% ,72 \$%	5\$-&		f& : f& :
,QVWDQWDQHRXURVWRUJZDUG SHGLRGH	,) \$	7- f&	7<3	0\$;
	,) \$	7- f&		
	,) \$	7- f&		
	,) \$	7- f&		
,QVWDQWDQHRXUVSHGMRDWH UDWHYHYURQHW DJH	7- f&	,5		X\$
	7- f&			P\$

1RWHV

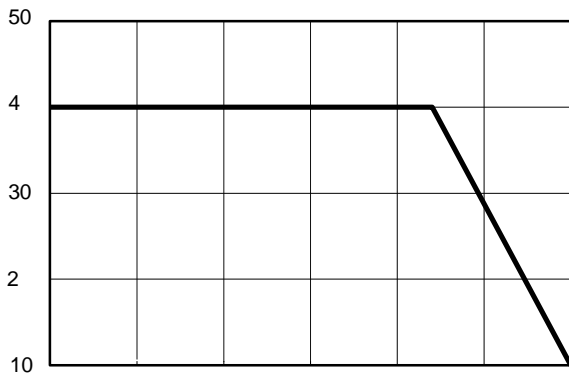
3XOVH WHVVSXOVH ZLGWK GXW\F\FOH

3XOVH WHVW 3XOPH ZLGWK 0

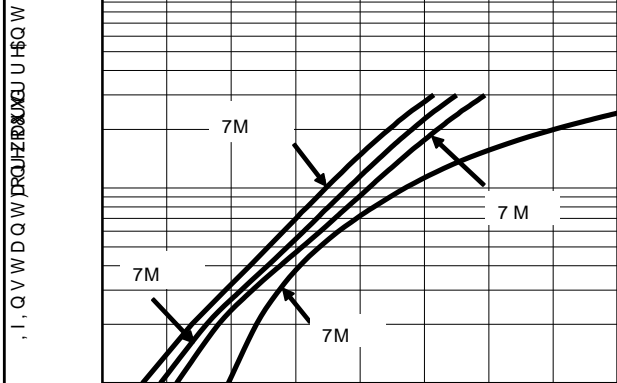
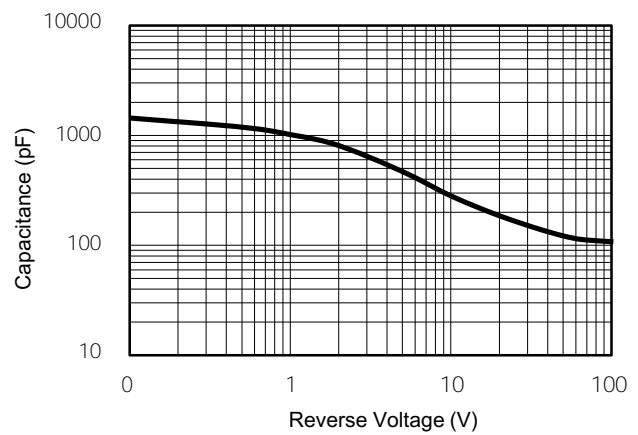
# TSR40A 00CT

# TSR40A10 CTF

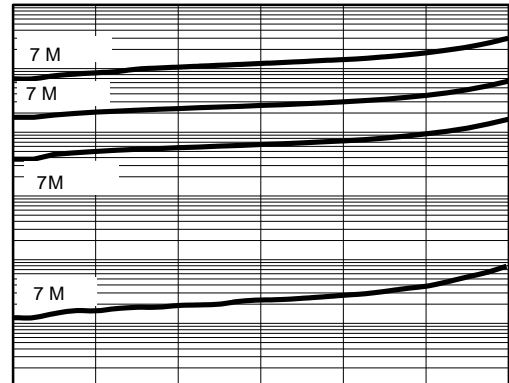
## RATINGS AND CHARACTERISTICS CURVES (TA = 25 °C unless otherwise noted)



7 F & DVH 7&HPS

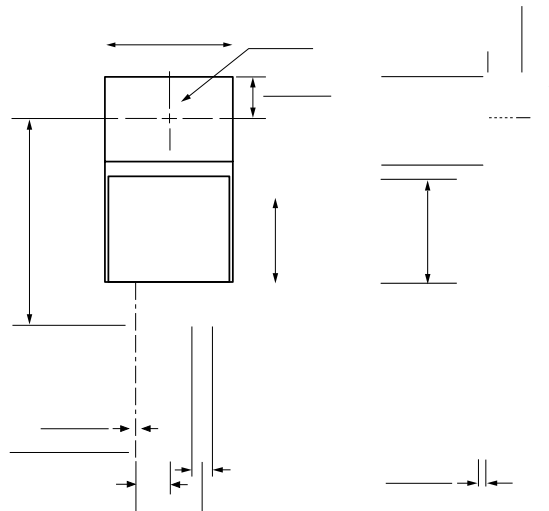


5 H Y H U V H & X U U H Q W

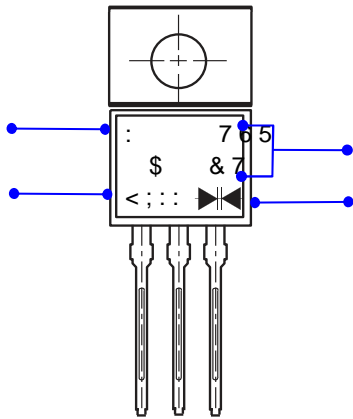


9 I , Q V W D Q W D Q H R X V ) R U Z D U G 9 R O W D J H P 9 9 5 5 H Y H U V H 9 R O W D J H 9 R O W V

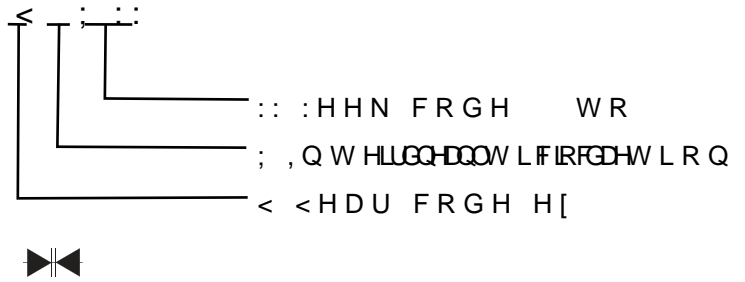
# PACKAGE OUTLINE DIMENSIONS



### Marking Information

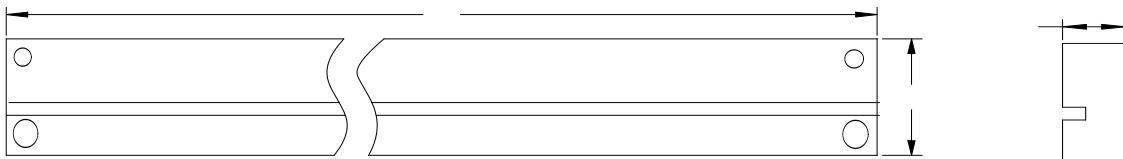


3 U R G X F W 7 6 5 4 3 2 1 O & 7 TSR40A100CTF  
3 ' & L Q I R U P D W L R Q



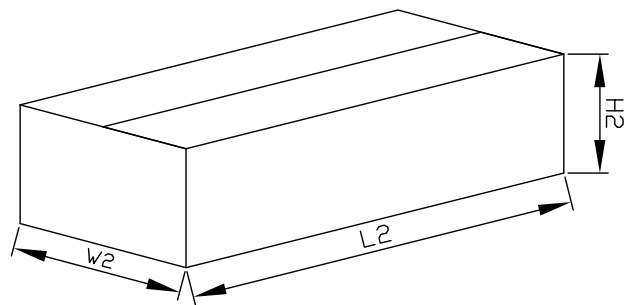
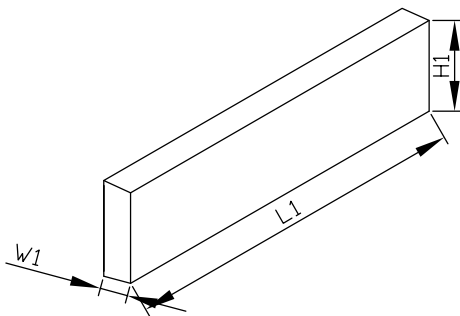
### Packaging Information

7 X E H ' L P H Q V L R Q V



, Q V L G H % R [

2 X W V L G H % R [



### Packaging Information

1 2	8 1 ,	7 X E H ' L P H Q V L R			, Q V L G H [			2 X W V L G H		
6 L ] H	PP	\$	%	&	/	:	+	/	:	+
4 7 <	3 & 6	3 & 6 7 X E H			6 P D O C S H F W D J H 3 & 6 W X E O W R W D O			3 & 6 F D U E R F C W R W D O		
1 R W H	7 R O H D Q F P P " P P				P P " P P			P P " P P		