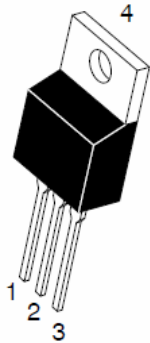


TSR30L300CT

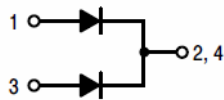
TSR30L300CTF

Trench MOS Barrier Schottky Rectifier

TO-220AB
TSR30L300CT



ITO-220AB
TSR30L300CTF



Features

- Advanced trench technology
- Low forward voltage drop
- Low power losses
- High efficiency operation
- Lead Free Finish, RoHS Compliant

Applications

- DC/DC Converters
- AC/DC Adaptors
- Switching Power Supplies
- Freewheeling Diodes

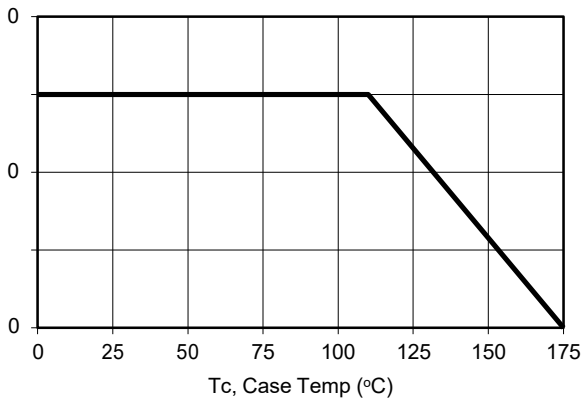
Maximum ratings and electrical characteristics (T_J = 25°C unless otherwise noted)

Parameter		Symbol	Limit		Unit
Maximum repetitive peak reverse voltage		VRRM	300		V
Maximum average forward rectified current	device	IF(AV)	0		A
	per diode				
Peak forward surge current 8.3 ms single half sine- wave superimposed on rated load per diode		IFSM	220		A
Operating junction and storage temperature range		T _J , T _{STG}	-5 to +175		°C
Typical thermal resistance per leg	TO-220AB		2		°C/W
	ITO-220AB		4		°C/W
Instantaneous forward voltage per diode			TYP.	MAX.	V
	IF=3A	T _J =25°C	0.71	0.76	
	IF=3A	T _J =125°C	0.65	-	
	IF= A	T _J =25°C	0.95	1.05	
Instantaneous reverse current per diode at rated reverse voltage			1	10	µA
			-	5	mA

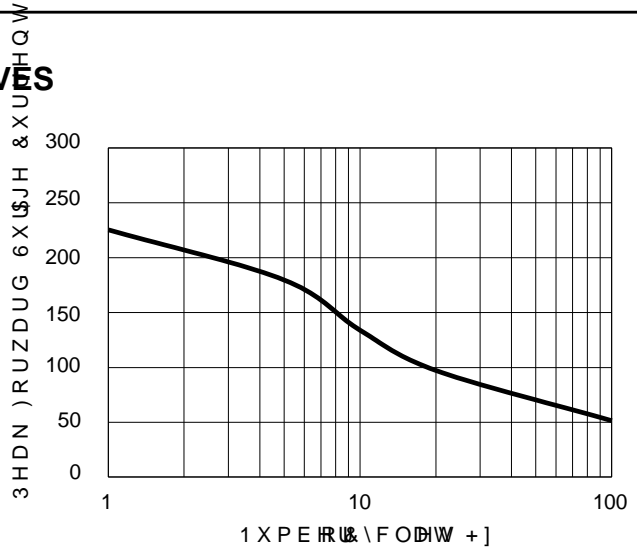
Notes:

≡

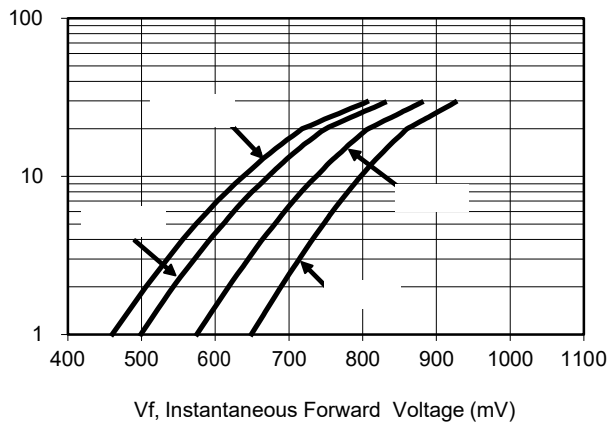
RATINGS AND CHARACTERISTICS CURVES



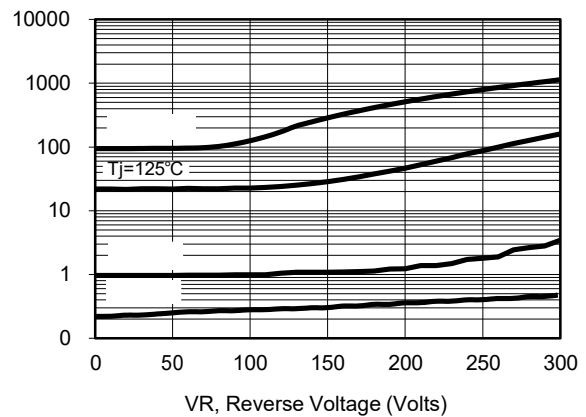
Current Derating, Case



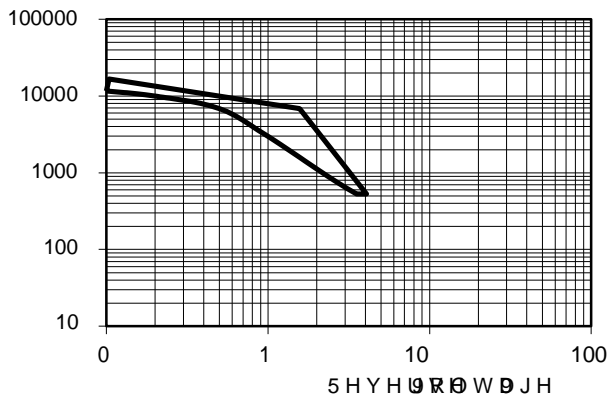
Maximum Repetitive Surge Current



Typical Forward Voltage

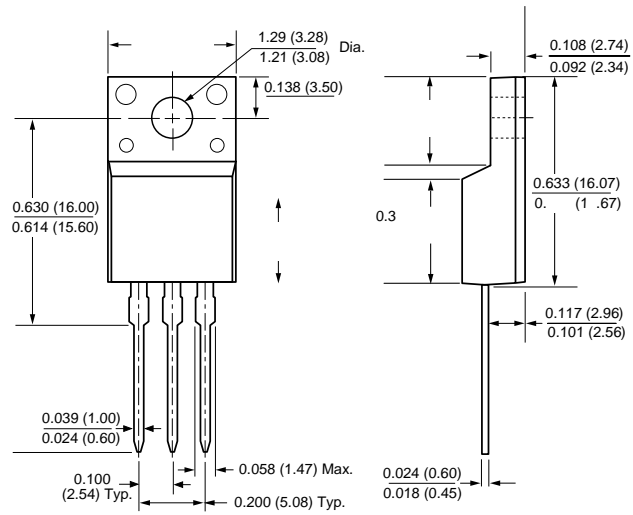


Typical Reverse Current



Typical Junction Capacitance

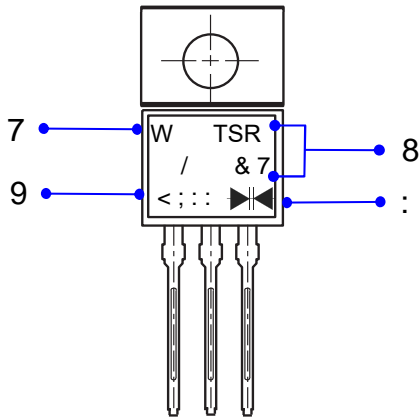
PACKAGE OUTLINE DIMENSIONS



TSR30L OCT

TSR30L OCTF

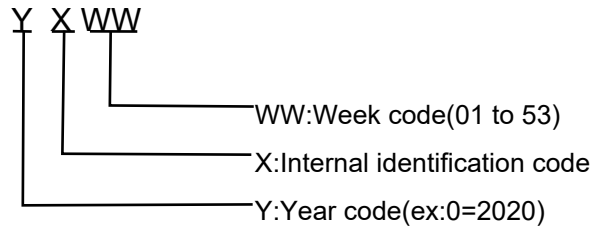
0 D U N L Q J , Q I R U P D W L R Q



7 : & R P S D Q \ V W U D G H P D U N

8 Product model : 7 6 5 / & 7 R U 7 6 5 / & 7)

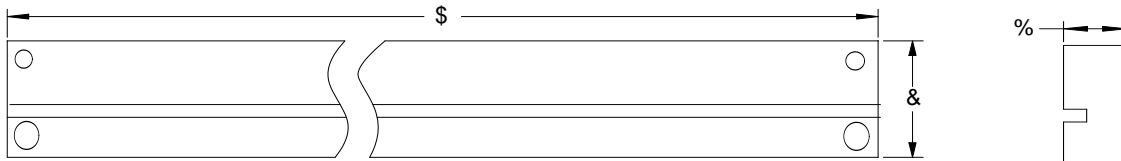
9 PDC information AE



: >>> ' R X E O H Z D I H U

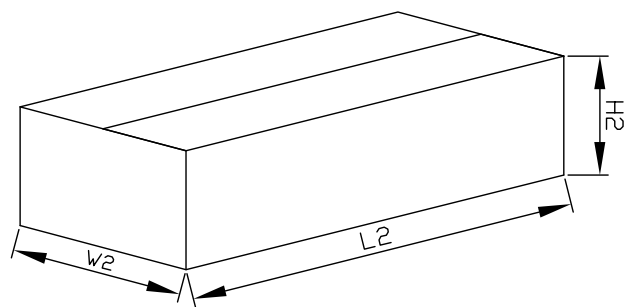
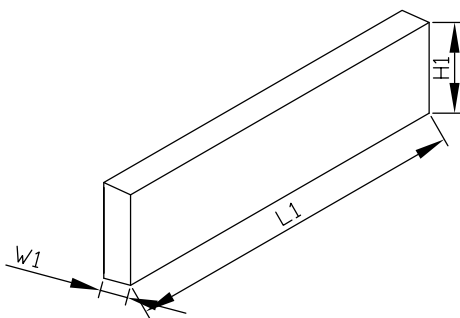
3 D F N D J L Q J , Q I R U P D W L R Q

1. Tube Dimensions



2. Inside Box

3. Outside Box



3 D F N D J L Q J , Q I R U P D W L R Q

NO	UNIT	Tube Dimensions			Inside Box			Outside Box		
		A	B	C	L1	W1	H1	L2	W2	H2
Size	mm	30						0	0	0
QTY	PCS	50PCS/Tube			Smallest package,1000PCS, 0 tube in total			5,000PCS/carton,5 boxes in total		
Note	Tolerance ≤20mm,±3mm; 21-100mm,±5mm; 101-500mm,±10mm									