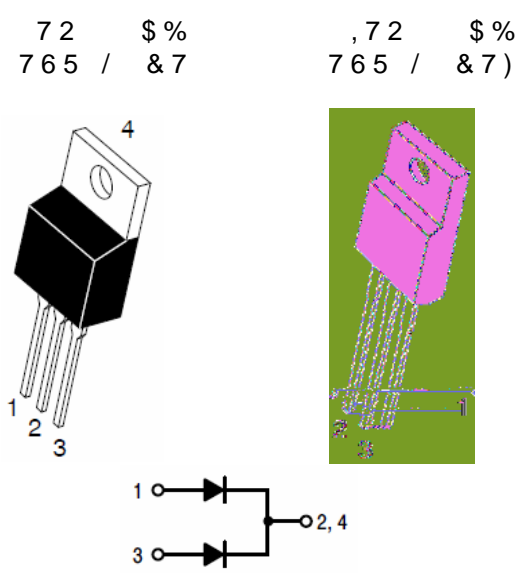


# 765 / 76/5

7UHQFK 026 %DUULHU 6FKRWWN\ 5H



)HDXUHV  
 ‡ \$GYDQWUHQFK WHFKQRORJ\A  
 ‡ /RZRUZDURGDWDJH GURS  
 ‡ /RZRZURVVHV  
 ‡ +LJKILFLHQF\ RSHUDWLRQ  
 ‡ /HDGHHLQLVK &RPSOLDQW

\$SSOLFDWLRQV  
 ‡ '&' &RQYHUWHUV  
 ‡ \$\$ '&\$GDSWRUV  
 ‡ 6ZLWFKRZHXSSOLHV  
 ‡ )UHHZKHHLRGLQJ

0D[LPXP UDWLQJV DQG HOHFWULFDJ& FXODDPRVHUQRVWHIGFV

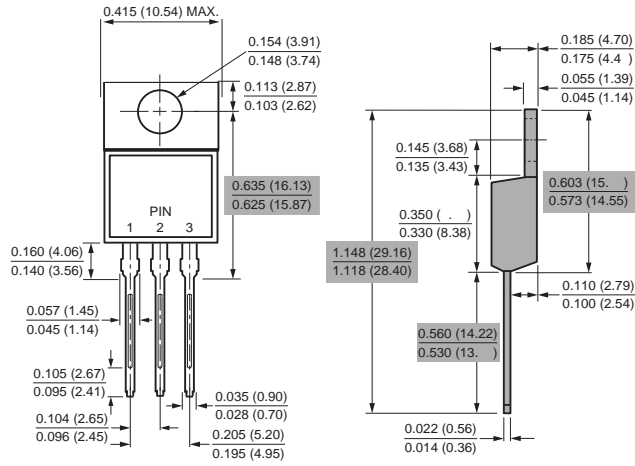
3DUDPHWHU	6\PERO	/LPLW	8QLW
0D[LPXP SHSHVSHUNYHYURQHW DJH	9550		9
0D[LPXPYHURJHZDUG UFXEWHIHWG SHGLRGH	,) \$9		\$
3HDN IRVZDURBUHQW VLKDDHQH ZDYH VXSHULPSRVHGRFSCGLRGH	,)60		\$
2SHUDMXQRDQQRWRUDJH WHPSHUDW XUHURDJH WR			f&
7\SLFVCHUPDO USHVULVQHWQFH	72 \$% ,72 \$%		f& : f& :
,QVWDQWDQHRRQWRUJZDUG SHGLRGH	,) \$	7-	f&
	,) \$	7-	f&
	,) \$	7-	f&
	,) \$	7-	f&
,QVWDQWDQHRXUUSHQWRDWH UDWHYHYURQHW DJH	7-	f&	X\$
	7-	f&	P\$

1RWHV  
 3XOVH WHVWSXOVH ZLGWK GXW\ F\FOH  
 3XOVH WHVW 3XOVH ZLGWK 0 PV

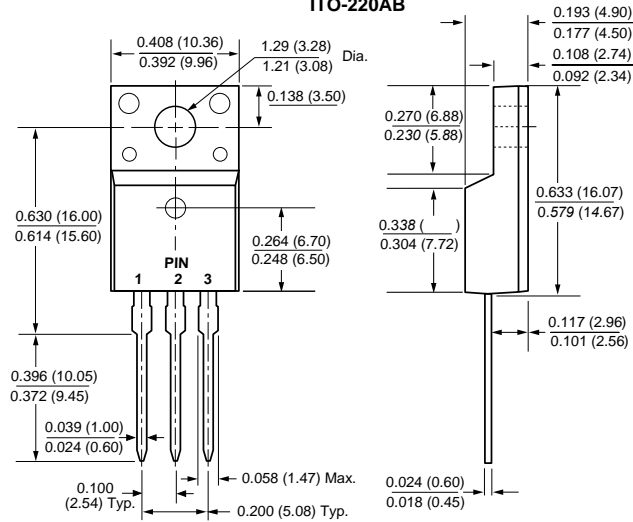


3 \$ & . \$ \* ( 2 8 7 / , 1 ( ' , 0 ( 1 6 , 2 1 6

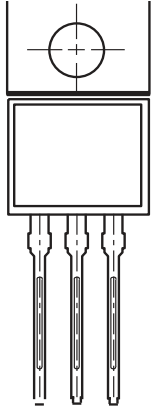
TO-220AB



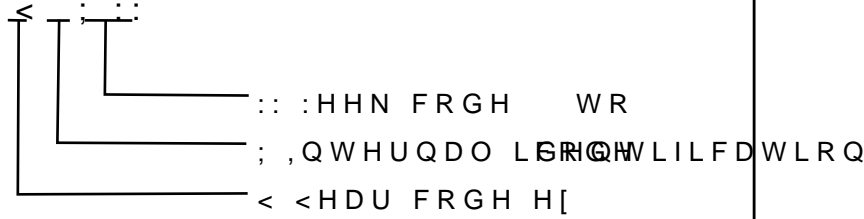
ITO-220AB



0DUNLQJ ,QIRUPDWLRQ

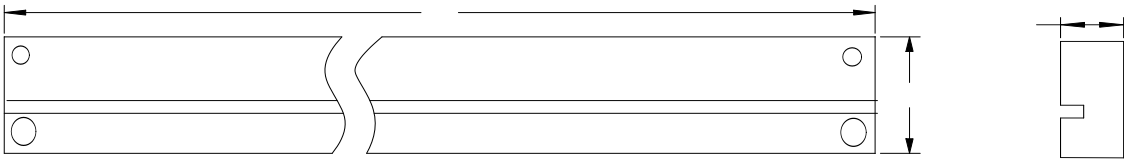


3URGXFW 765 / &7) 3' & LQIRUPDWLRQ



3DFNDJLQJ ,QIRUPDWLRQ

7XEH 'LPHQVLRQV



,QVLGH %R[

2XWVLGH %R[

3DFNDJLQJ ,QIRUPDWLRQ

12	81,	7XEH 'LPHQVLR			,QVLGH			2XWVLGH %R[		
6L]H	PP	\$	%	&	/	:	+	/	:	+
47<	3&6	3&6 7XEH			6PDOO 3DFWDJH3&6 WXEORWDO			3&6 FDUERGLW		
1RWH		7ROHUDQFH PP" PP			PP" PP			PP" PP		