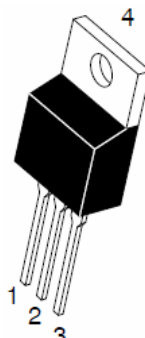


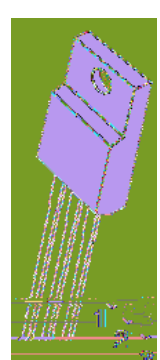
7 UHQFK 026 %DUULHU 6FKRWWN\ 5H

TO-220AB  
TSR / CT 6



1 2 3 4

ITO-220AB  
TSR / CTF 6

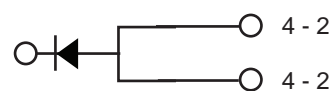


Features

- ‡ \$GYDQWUHQFK WHFKQRORJ\
- ‡ /RZRUZDURGDWDJH GURS
- ‡ /RZRZURVVHV
- ‡ +LJKILFLHQF\ RSHUDWLRO
- ‡ /HDGH)HLQLVK &R#6OLDQW

Applications

- ‡ '&' &RQYHUWHUV
- ‡ \$&'&GDSWRUV
- ‡ 6ZLWFKRZDUXSSOLHV
- ‡ )UHHZKH'HLRQJ

3,1 

Maximum ratings and electrical characteristics (T<sub>J</sub> = 25°C unless otherwise noted)

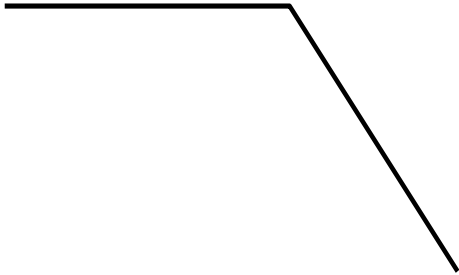
3DUDPHWHU		6\PERO	/LPLW	8QLW	
0D[LPLXPHSHVSHUNYHYURQHW DJH		9550		9	
0D[LPLXPHYHURJHZDUG UFKUWHIOWGSHYLFH ,) \$9				\$	
3HDN IRVZDURBUHQW VLKDOHQH ZDYH VXSHULPSRVHGRSODURVGHG		,)60	5	\$	
2SHUDMXQDQURWRUDJH WHPSHUDW XUHURDJH WR				f&	
7\SLFVCHUPDO USHVULVQHDQFH		72 \$%	5\$-&	f& :	
		,72 \$%		f& :	
,QVWDQWDQHRXURWRUJZDUG SHGLRGH		9)	7<3	0\$;	
			,) \$	7- f&	9
			,) \$	7- f&	
			,) \$	7- f&	
,QVWDQWDQHRXUUSHOMRQVH UDWHYHYURQHW DJH		,5		X\$	
				P\$	

1RWHV  
3XOVH WHVVSXOVH ZLGWK GXW\F\FOH  
3XOVH WHVW 3XOPVH ZLGWK 0

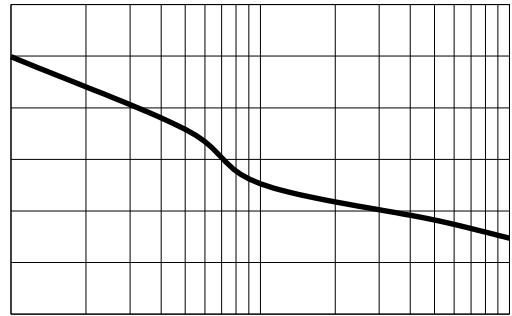
RATINGS AND CHARACTERISTICS CURVES

7\$

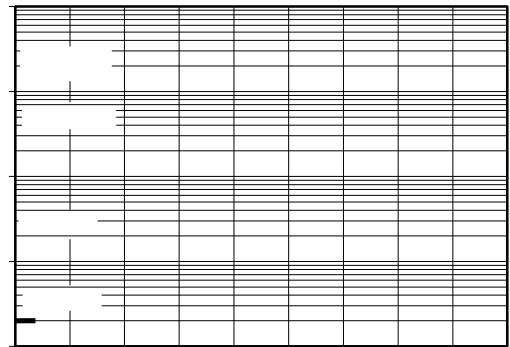
f & XQOHVQRWKB UZLVH



Current Derating, Case



Maximum Repetitive Surge Current



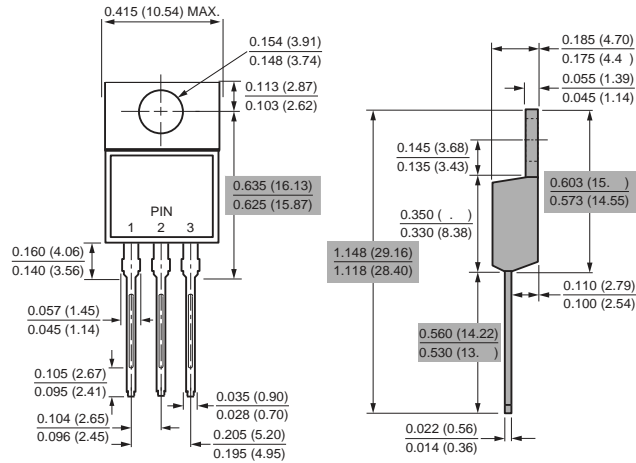
Typical Reverse Current

Typical Junction Capacitance

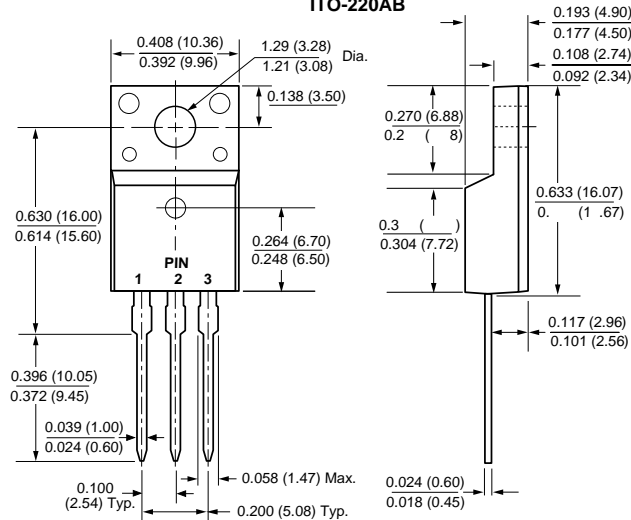
PACKAGE OUTLINE DIMENSIONS

1 R W H X Q L W , Q P P

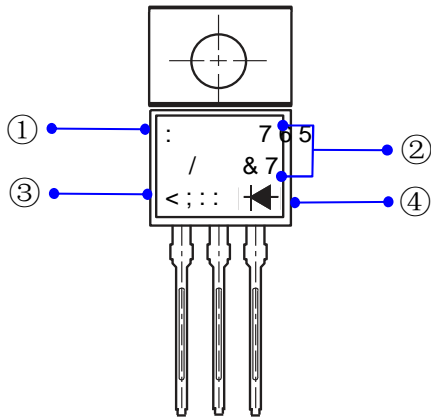
TO-220AB



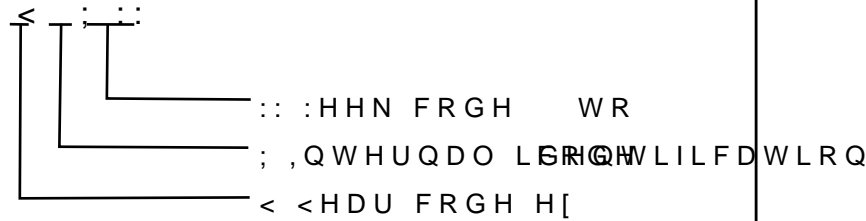
ITO-220AB



### Marking Information



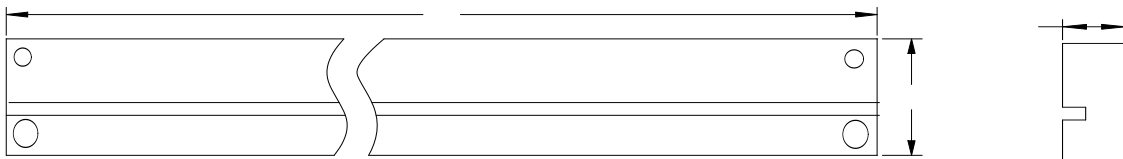
- ①
- ② 3URGXFW 765GHO&7RU 765 / &7)
- ③ 3'& LQIRUPDWLRQ



- ④ 6LQJZDIHU

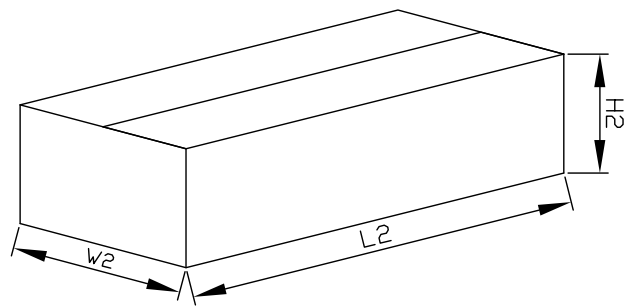
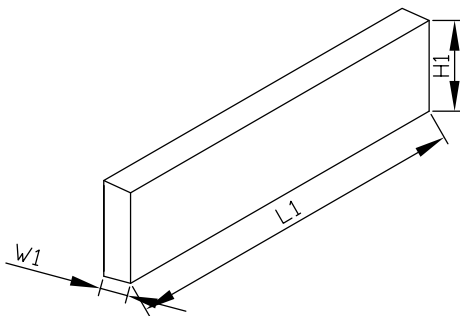
### Packaging Information

7XEH 'LPHQVLRQV



,QVLGH %R[

2XWVLGH %R[



### Packaging Information

12	81,	7XEH 'LPHQVLRQV			,QVLGH %R[			2XWVLGH %R[		
6L]H	PP	\$	%	&	/	:	+	/	:	+
47<	3&6	3&6 7XEH			6PDO SHVWDJH3&6 WXEVRWDO			3&6 FDUERGLWRWDO		
1RW	H	7ROHUDQFHPP"PP			PP"PP			PP"PP		